

KNC-PLC-K205E - Series



FEATURES

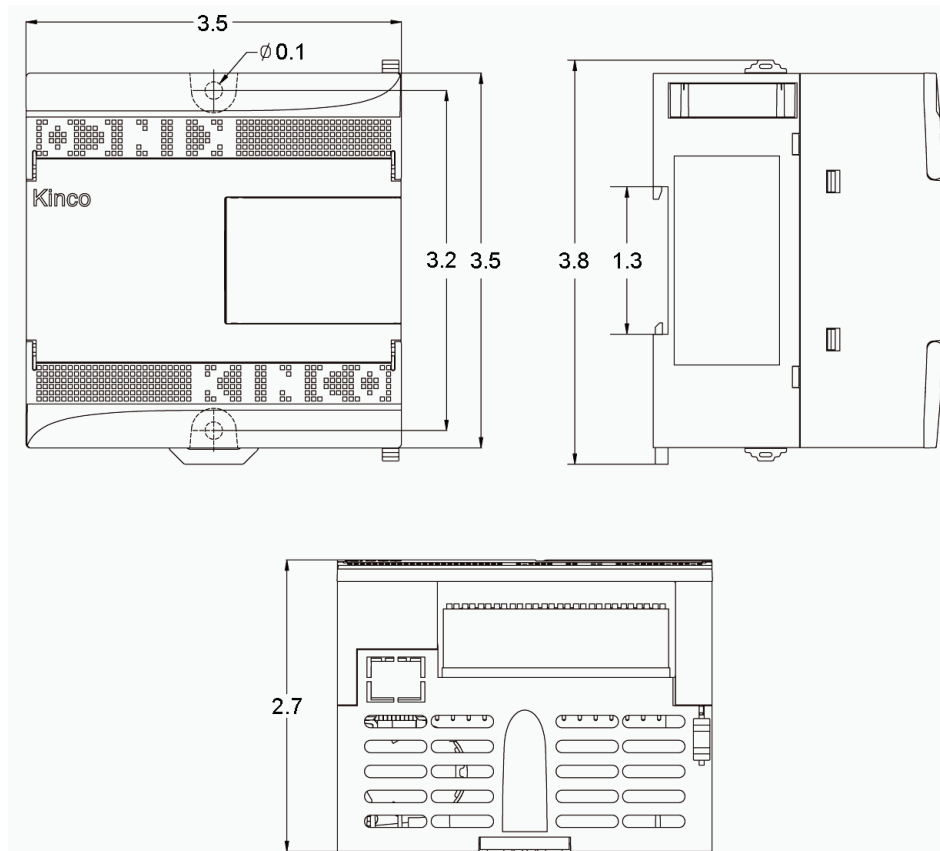
- **Four High-Speed Counters**
- **3 Pulse Train Outputs / Pulse Width Modulation**
- **Transistor Output**
- **20 Modes and Inputs of High-Speed Counters**
- **Multiple Communication Ports: 1 Micro USB, 2 RS485**
- **Rated Input Voltage DC 24V**
- **8 Direct Input, 8 Direct Output, and 6 Direct Input/Output**



DESCRIPTION

The PLC-K205E series provides special I/O functions, a Micro USB (USB 2.0) programming port, 4 high-speed counters, 3 high-speed pulse outputs, two RS485 communication ports, integrated digital input and output channels, and more. The high speed counters come in 10 different operation modes, support a single-phase frequency up to 50 KHz, and a dual-phase (A/B phase) frequency up to 50 KHz. In the 10 different modes, each counter has its own inputs for clock, direction control, start and reset, and has a 32-bit present value. The built-in high-speed pulse outputs can reach a maximum frequency of 50 KHz, and support PWM. The free KincoBuilder software provides absolute and relative positioning, homing, jogging, and quick stop instructions. The PLC-K205 series is an ideal hub for data processing with field devices, such as temperature modules, servo drives, field busses and more.

DIMENSIONS



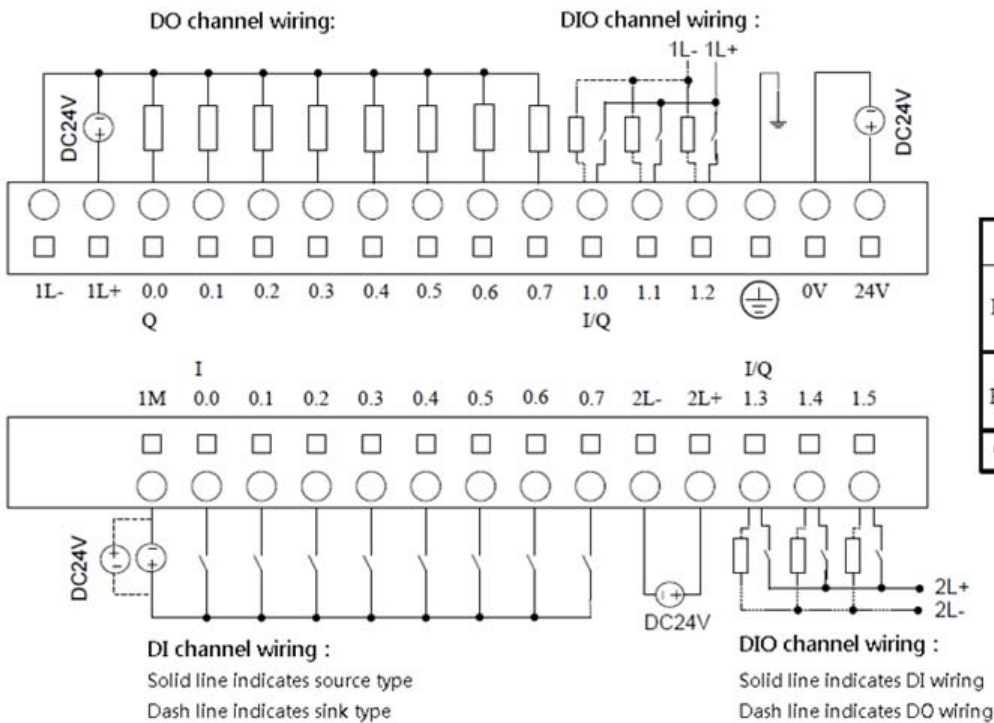
L011558

Dimensions are in inches

Parameter	KNC-PLC-K205EX-22DT	KNC-PLC-K205EA-18DT
Digital Channel	8 DI, 8 DO, 6 DIO	8 DI / 8 DO
Analog Channel	n/a	1 AI / 1 AO
Analog Channel	n/a	
Expansion Modules	n/a	
Programming Port	Micro USB 2.0	
Communication Port	2 RS485, PORT1 and PORT2, Max. Baudrate 115.2kbps. Port1 supports Modbus RTU protocol (as a slave or master), free-protocol communication mode, also can work as programming port. PORT2 supports Modbus RTU protocol (as a slave or master) and free-protocol communication mode.	
High Speed Counters Single Phase Two Phase	4 4, HSC0 and HSC1: Max.50KHz. HSC2 and HSC3: Max. 20KHz 4, HSC0 and HSC1: Max.50KHz. HSC2 and HSC3: Max. 10KHz	
High-Speed Pulse Output	3 Q0.0 and Q0.1: Max.50KHz (The resistor of load must be less than 1.5KΩ). Q0.4: Max.10KHz	
I/O Interrupts	4 Rising / Falling Edge Interrupts, I0.0-I0.3	
Memory Area		
Max. User Program	4K Instructions	
User Data	M area: 1K bytes; V area: 4K bytes	
DI Image Area	2 Bytes	1 Byte
DO Image Area	2 Bytes	1 Byte
AI Image Area	n/a	2 Bytes
AO Image Area	n/a	2 Bytes
Data Backup	E2PROM , 448 Bytes	
Retentive Ranges	4K Bytes, Lithium Cell as backup power, 3 years at normal temperature	
Others		
Timers	256 1ms time-base: 4 10ms time-base: 16 100ms time-base: 236	
Time Interrupts	2 with 0.1ms time-base	
Counters	256	
Real-Time Clock	Yes, deviation less than 3 min/month at 25°C	
Power Supply		
Rated Power Supply	DC24V. Note : USB port can be used as power supply.	

KNC-PLC-K205EX-22DT

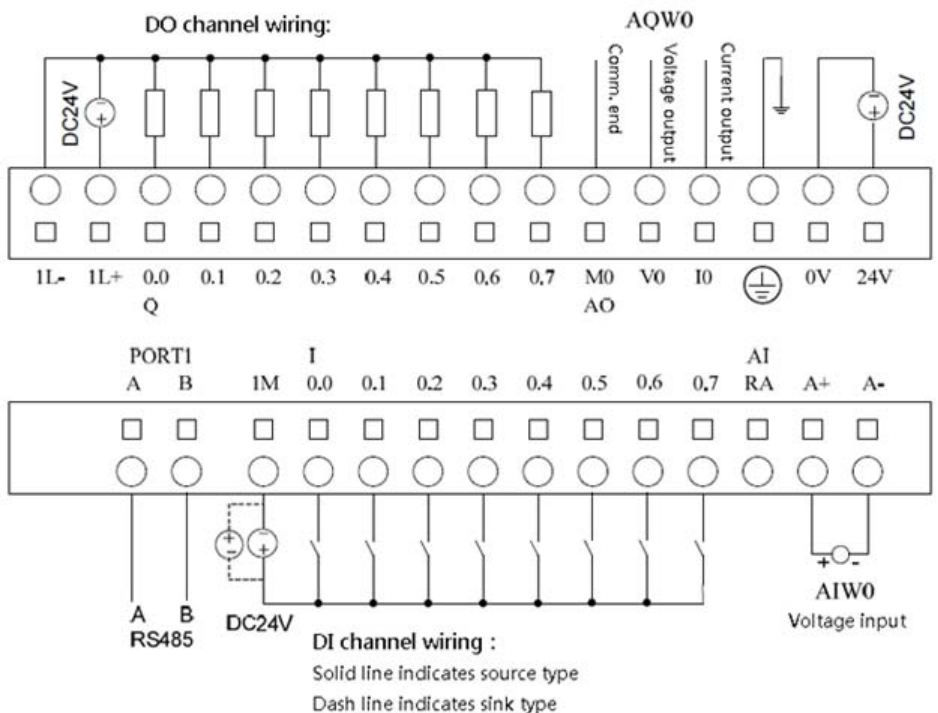
WIRING DIAGRAMS



RS485 (RJ45)

	PIN	Define	Spec.
PORT1	1	A	RS485 +
	2	B	RS485 -
PORT2	6	A	RS485 +
	7	B	RS485 -
Comm.	8	GND	GND

KNC-PLC-K205EA-18DT



RS485 (RJ45)

	PIN	Define	Spec.
PORT2	1	A	RS485 +
	2	B	RS485 -
Comm.	8	GND	GND

